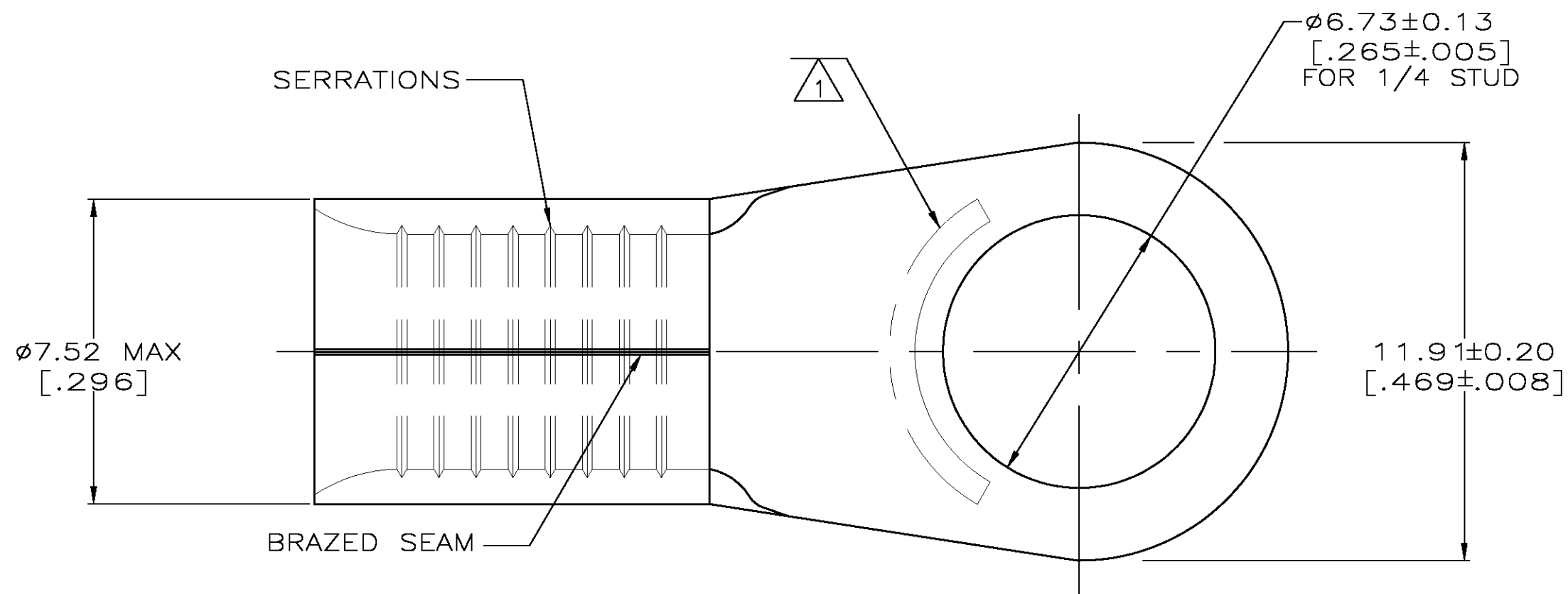
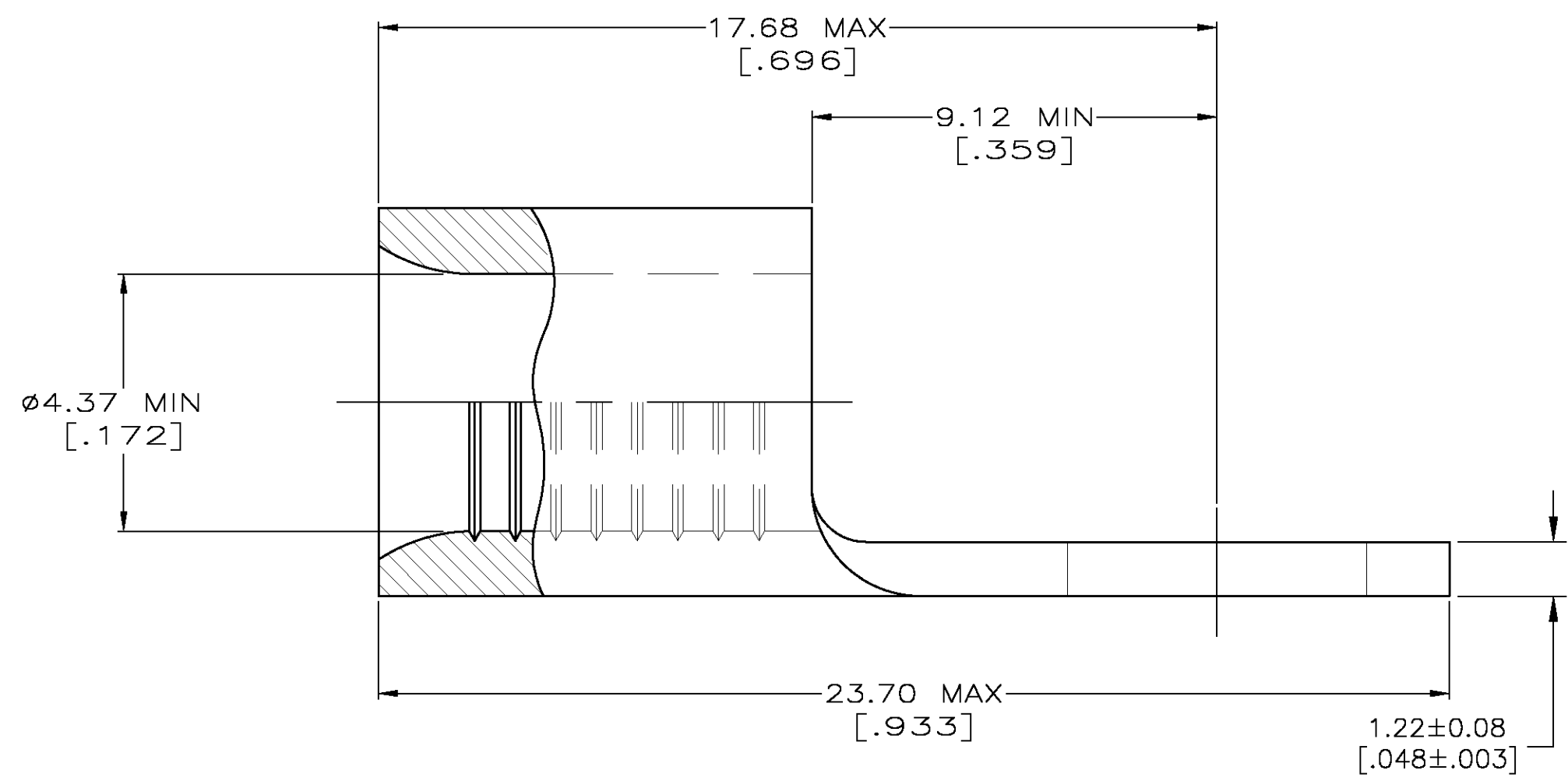


LOC	DIST	REVISIONS					
G	14	P	LTR	DESCRIPTION	DATE	DWN	APVD
		T1		REVISED PER ECR-08-022232	06OCT08	HMR	TM



- 2 UL LISTED E13288, 8 AWG STRANDED
- 3 CSA CERTIFIED LR7189, 8 AWG SOLID OR STRANDED
- 4 MILITARY MS20659-141 CLASS 2
- 5 SUPERSEDED BY 8-33461-1
- 6 TIN PLATE 0.00254 [.000100] MIN THK PER ASTM B545
- 7 TIN-LEAD (60-40) PLATE 0.00254 [.000100] MIN THK PER SAE-AMS-P-81728
- 9 PRELIMINARY - NOT FOR PRODUCTION



OBSOLETE	2 3	6	25	LOOSE PIECE, BAG	<del>8-33461-5</del>
	2 3	6	50	LOOSE PIECE, BOX	9 8-33461-2
	2 3	6	100	LOOSE PIECE, BOX	8-33461-1
	2 3	6	1000	33461 TAPE MOUNTED ON 30.48[1.200] CENTERS	2-33461-3
	2 3 4	6	1500	33461 TAPE MOUNTED ON 15.24[.600] CENTERS	2-33461-2
	---	7	50	LOOSE PIECE	9 33461-1
	2 3 4	6	100	LOOSE PIECE	33461
APPROVALS	FINISH	QTY	PACKAGE TYPE	PART NO.	

AMP INCORPORATED CUSTOMER SERVICE SYSTEMS		MAX RECOMMENDED OPERATING TEMPERATURE: 170°C MAX
FOR ADDITIONAL PRODUCT INFORMATION OR COPIES OF DRAWINGS AND TECHNICAL DOCUMENTS	PRODUCT INFORMATION CENTER 1-800-522-6752	VOLTAGE RATING: N/A
FOR APPLICATION	TOOLING ASSISTANCE CENTER 1-800-722-1111	CIRCULAR MIL AREA: 6.64-10.5mm² [13,100-20,800] SOLID OR STRANDED
FOR ORDER ENTRY	1-800-526-5142	THIS DRAWING IS A CONTROLLED DOCUMENT FOR AMP INCORPORATED. IT IS SUBJECT TO CHANGE AND THE CONTROLLING ENGINEERING ORGANIZATION SHOULD BE CONTACTED FOR THE LATEST REVISION.

THIS DRAWING IS A CONTROLLED DOCUMENT.		DWN TA BRINKMAN 3-24-93	Tyco Electronics Corporation Harrisburg, PA 17105-3608	
DIMENSIONS: mm [INCHES]		CHK DA PATTERSON 3-24-93	NAME	
TOLERANCES UNLESS OTHERWISE SPECIFIED:		APVD JL MECKLEY 3-24-93	PRODUCT SPEC	
0 PLC ± -		APPLICATION SPEC		
1 PLC ± -		WEIGHT		
2 PLC ± -		SIZE CAGE CODE DRAWING NO RESTRICTED TO		
3 PLC ± -		A2 00779 C-33461		
4 PLC ± -		CUSTOMER DRAWING SCALE 8:1 SHEET 1 of 1 REV T1		
ANGLES ± ± -				
FINISH				
MATERIAL COPPER PER ASTM B-152 ANNEALED				